



T4 Turret

*Next Generation of the IP Trade turret
DATASHEET*

For the trader who demands the very best in performance





High-Performance, Unified Trading Communications & Collaboration

Description

The T4 is the turret that revolutionizes the integration between the trading room and all other environments of unified communications and also matches the styling and ease of use of the most advanced tablets in the market.

Our new turret offers a minimal foot print whilst maintaining a 15" screen. Its modern compact design integrates 2 traders proof loudspeakers, a microphone and two handsets. The T4 will blend with the other screens of the user. A solid, rugged, yet modern design, provides both durability and stability. The T4 is adjustable to allow 4 viewing angles.

The latest touchscreen technology ensures that the T4 is both a true turret as well as a multi-application tablet. The IP Trade applications such as videoconferencing, web apps or custom apps, click to dial, unified contacts, multi directory access etc. are even simpler to use thanks to zooming and sliding screen features.



Compliance

IP Trade has an open architecture and standard application programming interface (API) enabling the solution to interoperate with media recording platforms. The company has an interoperability testing and certification program available to any IP media recording vendor (please check with a sales representative for current models and versions supported).

Trading communications without limits

Get in touch with more than 10.000 professional contacts with the enterprise directory at your fingertips. Communicate with other financial institutions, clients, colleagues or partners seamlessly via private wire, hoots, landline, mobile connections and in all trader communities. The perfect integration of the IP Trade solutions within unified communications networks, eliminates barriers and provides traders with the unique functions they require.



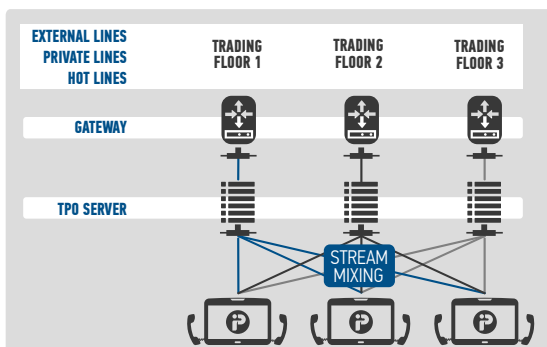
MOBILITY

The Mobile Trader product range offers a similar, to the T4, user experience on Android or web platforms (including Apple iPhones) or on Windows. Mobile Trader allows remote working and Disaster Recovery solutions. With a user name and a password, each user can work from any turret, telephone, tablet or from a disaster recovery center without losing functionalities, profile, contacts or even call history.

Functional description

The T4 is an integrated turret, based on the IP Trade voice architecture and dedicated components for the highest quality and performance. It combines a classical but very flexible Intel architecture with Windows 7 embedded for integrating applications.

CAPABILITY	DESCRIPTION
Display	Capacitive Touchscreen 15" 16/9
Handsets	Push-to-talk, Push-to-mute, Volume control, Red/Blue LEDs (left and right)
Loud Speakers	Amplified loudspeakers, Volume control – speakers attached to unit – can be removed
Speaker control	Global per line, Sound activity detection displayed on screen
Microphone	High-Fidelity gooseneck microphone
Simultaneous calls	32 (2 handsets, 30 on monitoring applet)
Contact Capacity	10.000, (128 per page) 64 visible simultaneously, unlimited pages and shared pages
Supported Line types	SIP, Public network, Trader Lines (automatic/manual ringdown) hoot'n holler
Call control via Touch screen	On Hold, Mute, Transfer, Dispatch, Conference, Call Back, Priority Lines
Customisation	Variable background/button colors, private contacts, personalized ringdowns, languages (English, French, Dutch, German, Russian)
USB Ports	8 ports (for headsets and wireless headsets, foot pedals, keyboard, mouse, webcam etc)
Webcam	External (USB)
Telepresence	Integration with Cisco-Tandberg
Applications	Replay on turret, dial from outlook, chrome or firefox, Corporate Directory (LDAP)



Voice and Video application management

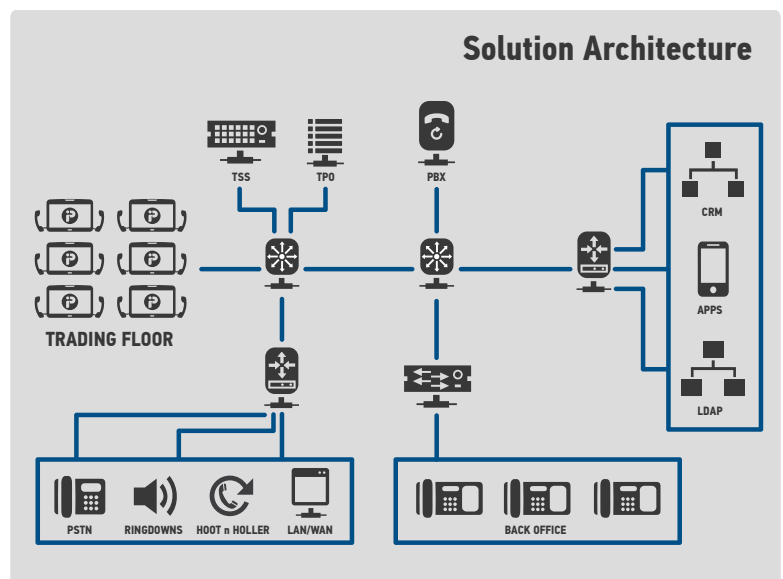
Each T4 turret is connected to the IP Trade software-defined media processing application called the Turret Proxy Openline (TPO) and to the PBX. The TPO can be installed on a virtual server with redundancy configurations that guarantee connectivity. The TPO acts as a standard unified communication network extension by using SIP (Session Initialization Protocol) for connection and provides advanced « trader » functions.

Management

The TSS is a web-based management and database application that enables system configuration and management while acting as a central repository for user profiles, enabling secure user authentication and storing system data. The TSS is also a gateway to other enterprise information systems and applications that may be integrated into the trading floor environment.

The powerful administration services are:

- T4 Turret configuration
- Monitoring, Management and Reports
- Authenticator and multi level security
- System database
- Application Integration
- System software update/upgrade tools





About IP Trade

IP Trade is a pioneer in the design of advanced SIP (Session Initiation Protocol) communications and has established itself as a leading provider of ultra-reliable, high-capacity unified communications and collaboration (UC&C) solutions designed for environments where “always-on” instant communications capabilities are required.

IP Trade SA solutions are marketed under the IP Trade and IP Command brands and are used in a variety of industry sectors including: capital markets, commodities, government, healthcare, investment management, military, transportation and utilities. Applications include: Air traffic control, dispatch services, emergency services, financial trading, logistics, mission control, network operations, power transmission and public safety.

The company headquarter is in Liege, Belgium and has offices in Asia, Europe and the USA and representation through partners in more than 100 countries.

To learn more about IP Trade Solutions
Contact: info@iptrade-networks.com
or for more information
Visit: www.iptrade-networks.com



IP Trade Offices

Belgium (Headquarter)

Liège Logistics
rue de l'Aéropostale, 8
4460 Grâce-Hollogne

Phone + 32 4 364 04 69
Fax + 32 4 239 71 08
info@iptrade-networks.com

London

23 Austin Friars
London EC2N 2QP

Phone + 44 203 178 4448
info-uk@iptrade-networks.com

New-York

45 Rockefeller Plaza
630 Fifth Avenue
Suite 2000
New York, NY 10111

Phone + 1 888 844 8440 (toll free)
Fax + 1 212 361 0059
info-us@iptrade-networks.com

Hong-Kong

Room 1133
The Lee Gardens
33 Hysan Avenue
Causeway Bay - Hong Kong

Phone + 852 3959 8645
info@iptrade-networks.com

www.iptrade-networks.com